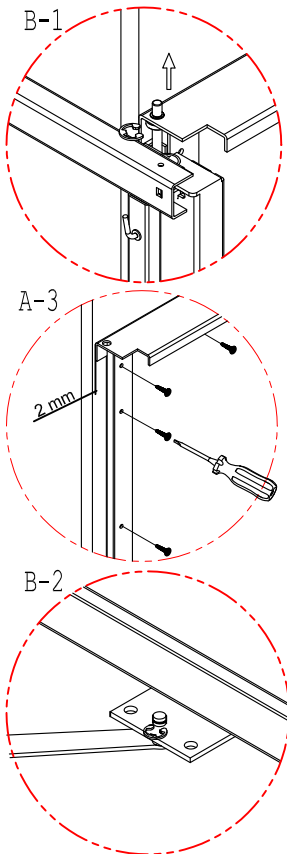


SECRET CORNER MECHANISM MOUNTED TO LID MOUNTING INSTRUCTIONS



1- Firstly hold on the back side sliding frame with the back rail and adjust to the back side of the cupboard floor and screw it as shown. (IMAGE A).
Check the rails.

2- Take out fixing pin and apart directing part.

3- Screw the directing part to the floor where located inside of 4 mm from the front (IMAGE C).

4- Connect the back top of the directing part to the back frame with the semioval metal fixing pin and check mechanism.

5- In order to connect the directing part to the main body part, locate the front frame in parallel to the cupboard. Assemble the upper pin of the main body part to the space on the directing part. Then assemble the bottom pin. After assembling the directing part to the main body part in order to perform regularly, put in the semioval metal fixing part on the upper pin.

IMAGE A

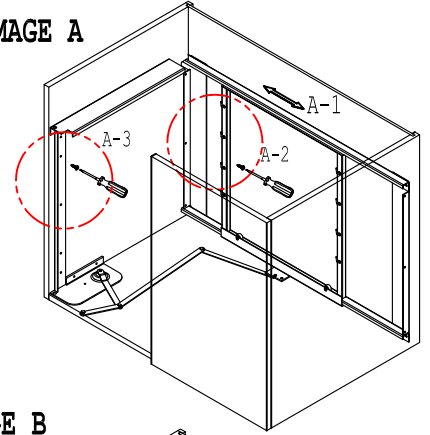
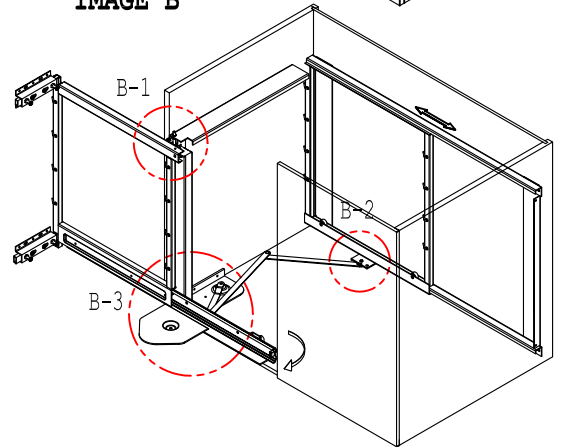
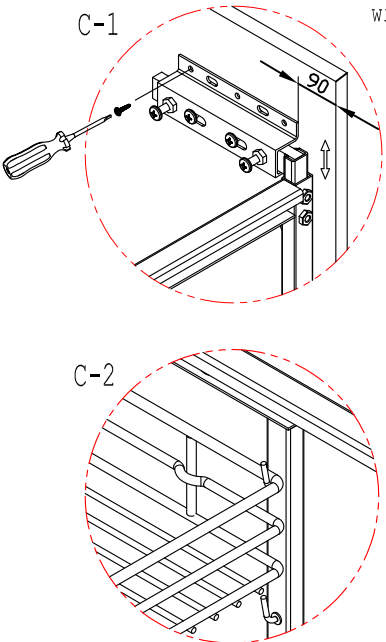


IMAGE B



SECRET CORNER MECHANISM MOUNTED TO LID MOUNTING INSTRUCTIONS



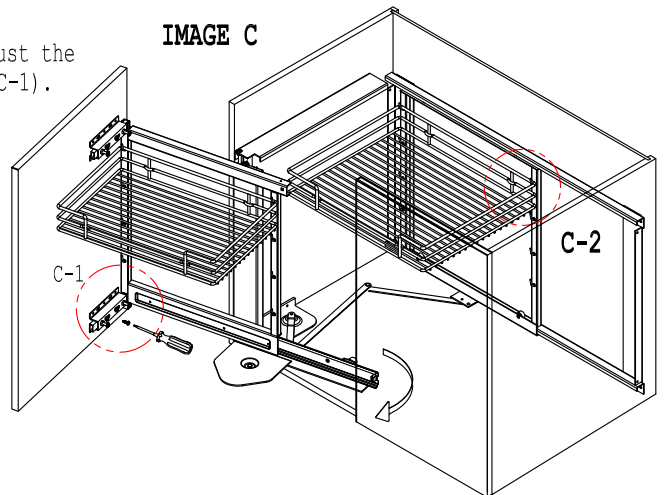
6- Screw the lid connecting part to the arms on the front frame. Centralize the lid to the cupboard and screw to the lid connection part. You can assay the lid with the bolts on the lid connection part (IMAGE F).

7- Close the cabinet door. Adjust the door connections with screws (C-1).
Check the mechanism.

8- Hanging on the baskets and check the mechanism.

9- Back frame located with basket, adjust with back body when you fixed the holes (B-2).

IMAGE C



NOTE: Mounting instructions are for S-3001 Secret Corner Mechanism (LEFT) also you can use same steps S-3002 Secret Corner Mechanism (RIGHT).



ITEMS					
NO	PART NAME	PCS.	NO	PART NAME	PCS.
1	DIRECTING PART	1	7	BIG BASKET	2
2	FRONT FRAME	1	8	PIN (HALF)	4
3	BACK FRAME	1	9	PIN	3
4	DOOR FIXING PART	2	10	ALLEN KEY	1
5	CONNECTING PART FRAME	1	11	CHIPBOARD SCREW 3,5x16	30
6	SMALL BASKET	2			
STOCK CODE: SMA17			IMAGE NO: RSM167		